

ASFA 'S' Worm-Drive Clip

MIKALOR

The ASFA 'S' W4 hose clip combines an innovative housing and a sturdy 12mm band which together make this a high-performance hose clip.

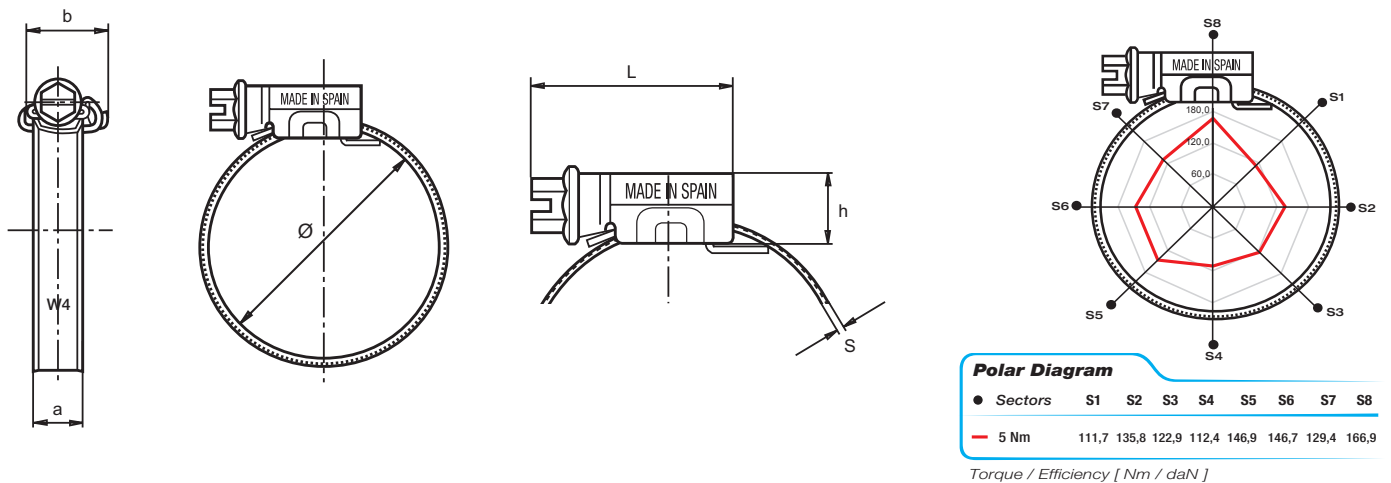
The cold-formed stamped band thread, smoothed on the underside, combined with bevelled band-edges protects the hose from any damage.

The ASFA 'S' W4 hose clip complies fully with the DIN 3017 norm and also with the RoHS directive EU 20032/95/EC dated 1st July 2006. Crafted entirely from AISI-304 stainless steel, this clip is ideally for use in marine applications or in any industrial assemblies where high levels of corrosion resistance are required.

ASFA 'S' W4 Worm-Drive Clip (12mm bandwidth)

Application Ø		Part n° W4	L max.	s + 0,1 0	h max.	a + 0,3 a - 0,2	b max.	Max. Values* Torque (Nm)	Max. Values* Pressure (Bars)	Box Quantity (MOQ)	Packing
mm	inches										
16-27	5/8-1-1/16	03014730	29,6	0,8	11	12,2	18,8	4,6	45,0	50	400
20-32	25/32-1-1/4	03014510	29,6	0,8	11	12,2	18,8	5,6	45,0	50	400
25-40	1-1-9/16	03014529	29,6	0,8	11	12,2	18,8	5,6	40,0	50	400
30-45	1-3/16-1-3/4	03014748	29,6	0,8	11	12,2	18,8	5,6	35,0	50	400
32-50	1-1/4-1-31/32	03014537	29,6	0,8	11	12,2	18,8	6,5	35,0	50	400
40-60	1-9/16-2-3/8	03014545	29,6	0,8	11	12,2	18,8	6,5	30,0	50	400
50-70	1-31/32-2-3/4	03014553	31,6	0,8	11	12,2	18,8	7,0	25,0	50	400
60-80	2-3/8-3-1/8	03014561	31,6	0,8	11	12,2	18,8	7,0	20,0	50	50
70-90	2-3/4-3-1/2	03014570	31,6	0,8	11	12,2	18,8	7,0	17,0	50	50
80-100	3-1/8-3-15/16	03014588	31,6	0,8	11	12,2	18,8	7,0	14,0	25	200
90-110	3-1/2-4-5/16	03014596	31,6	0,8	11	12,2	18,8	7,0	12,0	25	200
100-120	3-15/16-4-23/32	03014609	31,6	0,8	11	12,2	18,8	7,0	10,0	25	200
110-130	4-5/16-5-1/8	03014617	31,6	0,8	11	12,2	18,8	7,0	8,0	25	25
120-140	4-23/32-5-1/2	03014625	34,6	0,8	11	12,2	18,8	7,0	7,0	25	25
130-150	5-1/8-5-29/32	03014633	34,6	0,8	11	12,2	18,8	7,0	6,0	25	25
140-160	5-1/2-6-5/16	03014641	34,6	0,8	11	12,2	18,8	7,0	5,0	25	25
150-170	5-29/32-6-11/16	03014650	34,6	0,8	11	12,2	18,8	7,0	4,0	25	25
160-180	6-5/16-7-3/32	03014668	34,6	0,8	11	12,2	18,8	7,0	3,0	25	25
170-190	6-11/16-7-15/32	03014676	34,6	0,8	11	12,2	18,8	7,0	2,0	10	10
180-200	7-3/32-7-7/8	03014684	34,6	0,8	11	12,2	18,8	7,0	2,0	10	10
190-210	7-31/64-8-17/64	03014692	34,6	0,8	11	12,2	18,8	7,0	1,8	10	10
200-220	7-7/8-8-21/32	03014705	34,6	0,8	11	12,2	18,8	7,0	1,8	10	10
210-230	8-17/64-9-1/16	03014713	34,6	0,8	11	12,2	18,8	7,0	1,6	10	10
220-240	8-21/32-9-9/64	03014721	34,6	0,8	11	12,2	18,8	7,0	1,6	10	10

W4 Screw: Stainless steel (AISI-304) Cu (A2) **Band and Housing:** X5CrNi1810 Stainless steel (DIN 1.4301) (AISI-304) (A2)



* The maximum application pressure can vary depending on the type of hose used and the geometry of the coupling. Patented Worldwide.