

SOLENOID VALVE 3/2 MINI SOLENOID VALVES



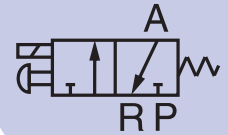
Specification

| | | |
|--------------------|---|---------|
| Model | KCV1-M5 | KCV1-06 |
| Fluid | Air (to be filtered by 40µm filter element) | |
| Acting | Direct | |
| Port | M5 | 1/8" |
| Orifice | Ø 1.2mm | |
| Valve Type | 3/2 | |
| Operating Pressure | 0-0.8MPa (0-114psi) | |
| Proof Pressure | 1.5MPa (215psi) | |
| Temperature | -20 to +70°C | |
| Material of Body | Aluminium Alloy | |
| Lubrication | Not Required | |

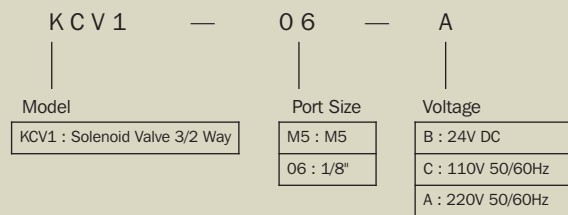
Coil Specification

| Item | Specification |
|----------------------------|----------------------------------|
| Standard voltage | 24V DC 110V 50/60Hz 220V 50/60Hz |
| Scope of voltage | AC : ± 15% DC : ± 10% |
| Power consumption | AC : 3.5VA DC : 3.0W |
| Protection | IP65 (DIN40050) |
| Temperature classification | B Class |
| Electrical entry | Terminal |
| Activating time | 0.05 sec |

Symbol



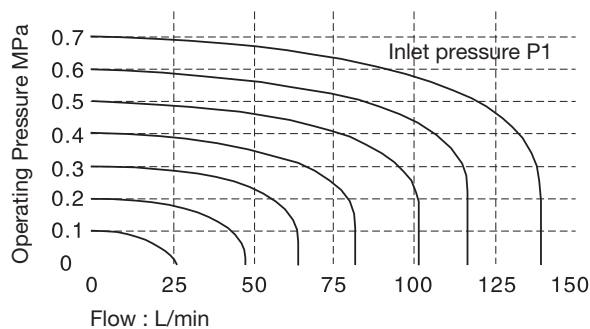
Ordering Code



Product Features

1. Direct acting
2. Sub-based mounted
3. Manual override
4. Several standard voltages are available
5. Several valves can be gang mounted together with the use of coupling screws and O-rings, saving space on installations

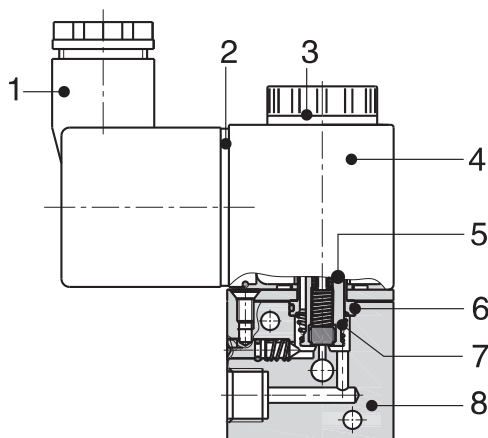
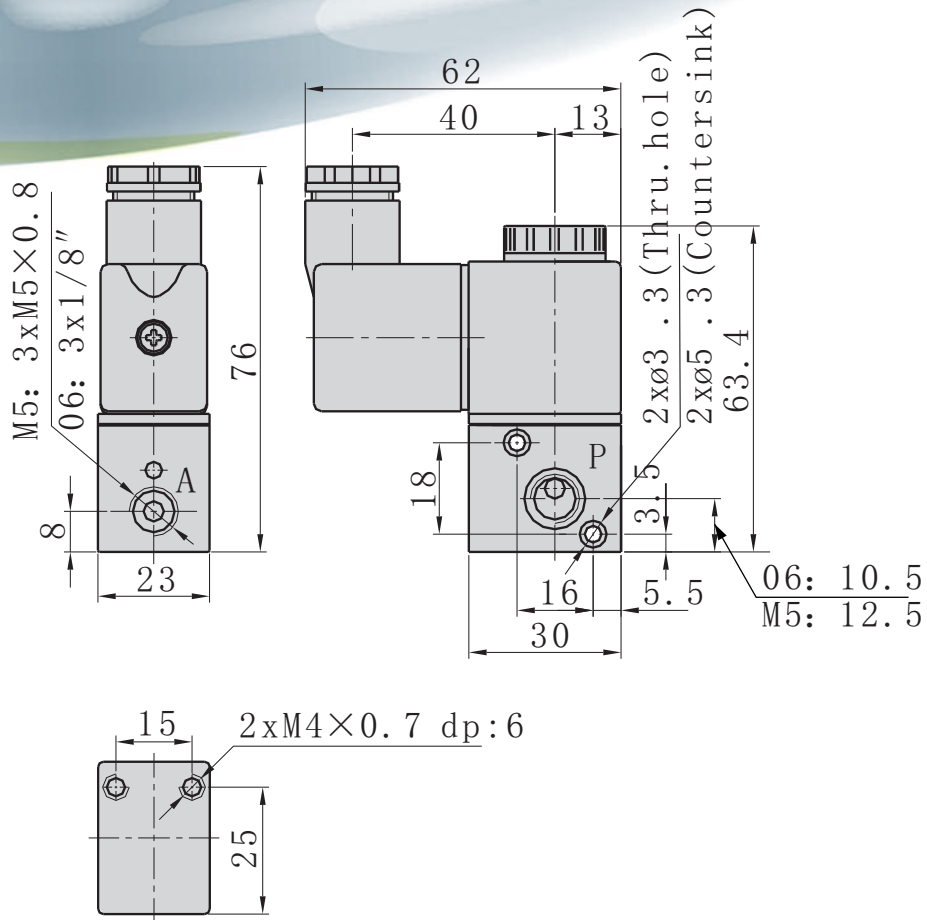
Flow Chart



SOLENOID VALVE

3/2 MINI SOLENOID VALVES

Dimensions



Inner Structure

| No. | Item |
|-----|---------------|
| 1 | Connector |
| 2 | Gasket |
| 3 | Coil Nut |
| 4 | Coil Nut |
| 5 | Armature |
| 6 | O-ring |
| 7 | Return Spring |
| 8 | Body |

SOLENOID VALVE

3/2 MINI SOLENOID VALVES – GANG MOUNT COMPONENTS

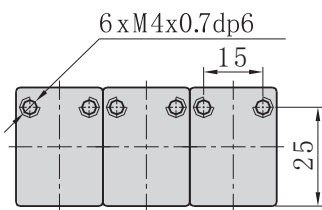
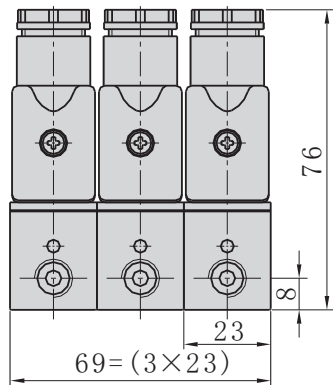


Ordering Code

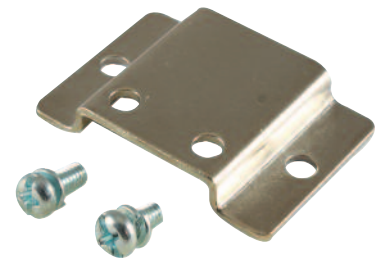
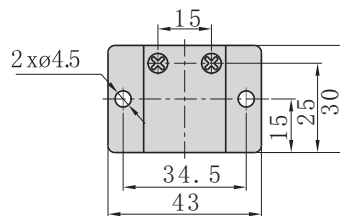
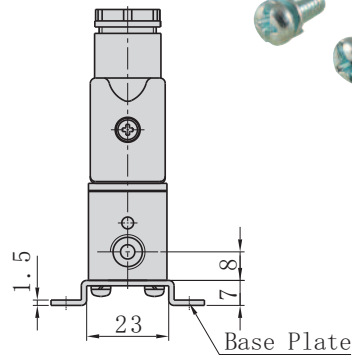
| | |
|----------|-------------------------------------|
| KCV1-P31 | Long Coupling Screws & O-ring |
| KCV1-P30 | Short Coupling Screws & Fixing Nuts |
| KCV1-P32 | Base Plate & Fixing Screws |

Series Connection – Dimensions

3 Gang Mounted Valves



Base Plate



How to Connect

